

Reduced Glare

AQUILA ALPHA

DOWNLIGHT SERIES

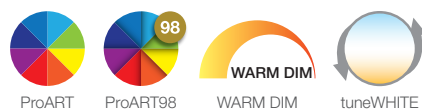
An expansion to the Aquila downlight series that is designed with a simplified modular concept but is more versatile. Made to be efficient and durable to suit mass deployment applications with demanding conditions, especially in commercial and hospitality sectors.



Fixture Features



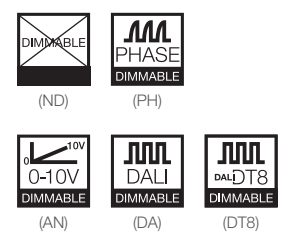
Module Colour Temperature Variation



Beam Angle



Driver Dimming Variation



AQUILA ALPHA 3

RECESSED ROUND FIX / TILT DOWNLIGHT LUMINAIRE
12W / 10W / 7W / 5W



#ROUND
#TRIM



#ROUND
#NARROWTRIM



#ROUND
#TRIMLESS

TECHNOLOGY AND FEATURES



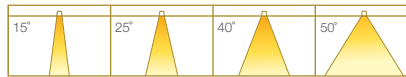
Converging Optical Lens
Maximising LOR



Ceiling
Safe

AVAILABLE OPTIONS

| | | | | | | |
|-------------------------------|--|---------------------------------|------------------------|------------|------------------|-------------------|
| FIXTURE COLOUR OPTIONS | Trim Colour Options | Reflector Colour Options | | | | |
| | MATT WHITE RAL9003 MATT BLACK RAL9011 | MATT WHITE RAL9003 | MATT BLACK RAL9011 | CHROME | CHROME BLACK | TITANIUM GOLD |
| ACCESSORIES | Honeycomb Anti-Glare Louvre Soft Lens | | | | | |
| LED MODULE | SINGLE CCT 2700K 3000K 3500K 4000K ProART ProART98 <small>(Not available for 12W)</small> | | | | | |
| DRIVER DIMMING | (ND) (PH) (AN) (DA) | | | | | |

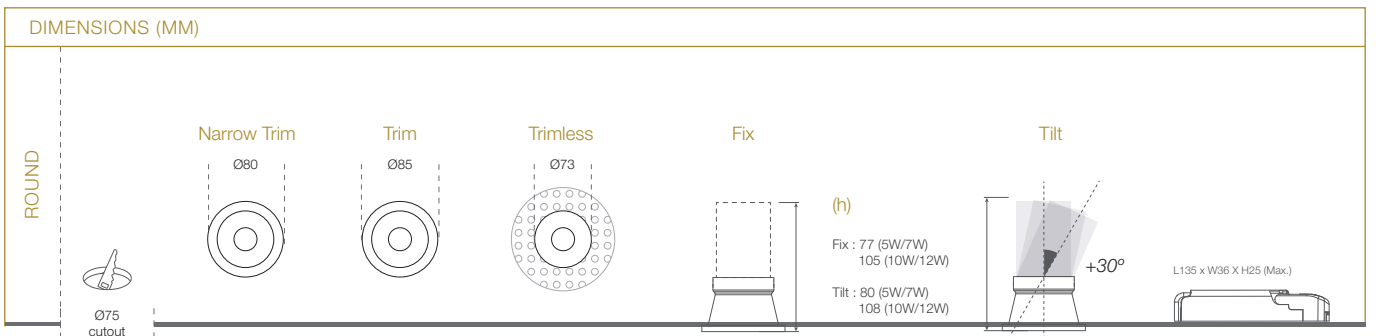
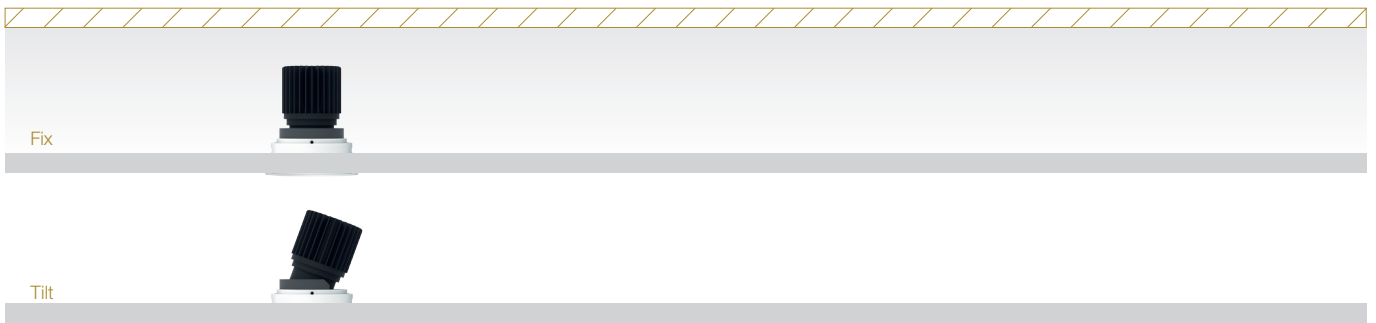


AQUILA ALPHA 3

#ROUND
#FIX
#TILT
#TRIM
#TRIMLESS
#NARROWTRIM

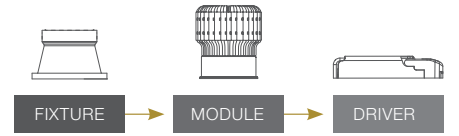
SPECIFICATIONS

| | |
|---------------------------|--|
| Family Type | Aquila Series |
| Mains Voltage | 220-240V, 50Hz |
| Typical Operating Voltage | 35V |
| Typical Operating Current | 350mA (12W), 300mA (10W), 200mA (7W), 150mA (5W) |
| Lifetime | 50,000 hours (80% lumen maintenance at Ta = 25°C), B10 |
| Beam Angles | 15°, 25°, 40°, 50° |
| Colour Temperatures | 2700K, 3000K, 3500K, 4000K |
| CRI | ProART (CRI-95), ProART98 (CRI-98) |
| SDCM | 3 steps MacAdam ellipse binning |
| Driver (Dimming) | Non-dim, phase (leading & trailing edge), 0-10V, DALI |
| Mains Connection | Push-pin or screw terminals for convenient connection |
| Materials | Aluminium, plastic |
| Fire Safety | Glow wire test 850°C, UL94V-0, VW-1 |
| Flammability Mark | F |
| Ingress Protection | IP54 |
| Safety Class | Class 2 |
| Standards | IEC 60598-1, IEC 61347-2-13 |
| Regulatory Markings | CE, CCC, RoHS |



AQUILA ALPHA 3

MODULAR CONCEPT



PHOTOMETRICS

AQUILA ALPHA 3

| Height (m) | E(0°) | E _{max} (lx) | | | | AQUILA ALPHA 3 | | | Luminous Flux (lm) | | | |
|------------|------------|-----------------------|------|------|------|----------------|--------------|-----------------|--------------------|------|------|------|
| | | 15° | 25° | 40° | 50° | LED Power | System Power | CRI | 3000K | | | |
| 1 | E(0°) | 4303 | 3757 | 2677 | 1442 | 12W | 15W | ProART CRI-95 | 15° | 25° | 40° | 50° |
| | Cone Ø (m) | 0.40 | 0.50 | 0.69 | 1.02 | | | | 1032 | 1116 | 1128 | 1140 |
| 2 | E(0°) | 1076 | 939 | 669 | 361 | 10W | 13W | ProART CRI-95 | 15° | 25° | 40° | 50° |
| | Cone Ø (m) | 0.79 | 1.00 | 1.39 | 2.04 | | | | 860 | 930 | 940 | 950 |
| 3 | E(0°) | 478 | 417 | 297 | 160 | 7W | 9W | ProART98 CRI-98 | 15° | 25° | 40° | 50° |
| | Cone Ø (m) | 1.19 | 1.51 | 2.08 | 3.06 | | | | 708 | 766 | 774 | 782 |
| 4 | E(0°) | 269 | 235 | 167 | 90 | 5W | 6.4W | ProART CRI-95 | 15° | 25° | 40° | 50° |
| | Cone Ø (m) | 1.58 | 2.01 | 2.77 | 4.08 | | | | 616 | 665 | 672 | 679 |
| 5 | E(0°) | 172 | 150 | 107 | 58 | | | ProART98 CRI-98 | 15° | 25° | 40° | 50° |
| | Cone Ø (m) | 1.98 | 2.51 | 3.46 | 5.10 | | | | 507 | 548 | 553 | 559 |
| | | | | | | | | ProART CRI-95 | 475 | 510 | 515 | 520 |
| | | | | | | | | ProART98 CRI-98 | 391 | 420 | 424 | 428 |

Correction Factor:
 AQUILA ALPHA 10W - f = 0.83
 AQUILA ALPHA 3 10W - f = 0.83
 AQUILA ALPHA 3 7W - f = 0.60
 AQUILA ALPHA 3 5W - f = 0.46

Data are based on 3000K (ProART CRI-95). Nominal data of 2700K and 3500K are shared with 3000K.
 Higher CCT of 4000K will have a nominal data value of 5% higher than published. (f = 1.05)
 ProART98 CRI-98 will have a nominal data value of 18% lower than published. (f = 0.82)

Nominal CRI-95, equals to Ra>90-97, R9>50
 Nominal CRI-98, equals to Ra>97-99, R9>93

ORDERING MATRIX CHART

| Fixture | | | | | | | | | | | | |
|-----------------------|--------------|-------------|-----------|-------|-----------|------|-----------|------------|------------------|---------------|-------------|-------------------|
| Type | Trim Options | | Shape | | Angle | | Colour | | Reflector Colour | | Accessories | |
| AQUILA-ALPHA-3 | T | Trim | RD | Round | FX | Fix | WH | Matt White | WH | Matt White | N | None |
| | NT | Narrow Trim | | | TL | Tilt | MB | Matt Black | MB | Matt Black | AGL | Anti-Glare Louvre |
| | X | Trimless | | | | | | | CR | Chrome | SL | Soft Lens |
| | | | | | | | | | CB | Chrome Black | | |
| | | | | | | | | | TG | Titanium Gold | | |

| Single CCT LED Module | | | | | | | | Driver | |
|-----------------------|-----|------------|-----|-------------|-------|-----------|-----------|-----------|---------|
| LED Power | | Beam Angle | | Colour Temp | | CRI | | Dimming | |
| 12 | 12W | 15 | 15° | 27 | 2700K | PA | ProART | ND | Non-Dim |
| 10 | 10W | 25 | 25° | 30 | 3000K | PP | ProART98* | PH | Phase |
| 7 | 7W | 40 | 40° | 35 | 3500K | | | AN | 0-10V |
| 5 | 5W | 50 | 50° | 40 | 4000K | | | DA | DALI |

*ProART98 option is NOT available for 12W LED power.
 example: AQUILA-ALPHA-3.T.RD.TL.WH.CR.N.12.15.30.PA.DA